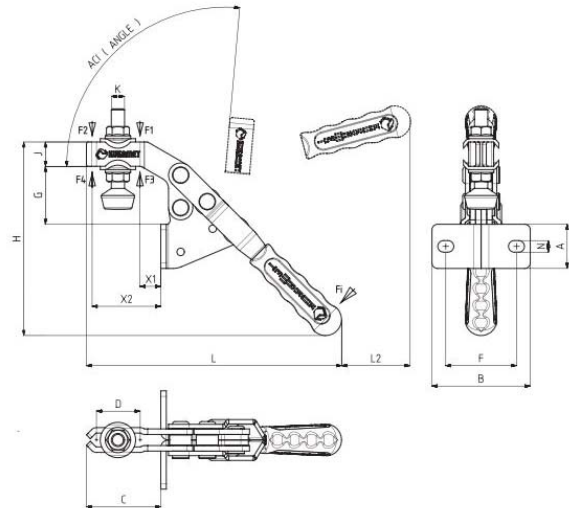


133 - Horizontal Toggle Clamps

Body Mounting Base: Side Mounting

Part Number	F1 (kg)	F2 (kg)	F3 (kg)	F4 (kg)	Fi		Compression Screw	Angle
					F1:Fi	F2:Fi		
19-133-5	458	331	509	356	8.5:1	6:1	M12 x 80	90 °

F1-F2 Exerting Force. F3-F4 Holding Capacity. Fi Applied Force



Part Number	A	B	C	D	F	G	H	J	K	L	L2	N	X1	X2
19-133-5	40	89	67.5	20	60-68	52.5	180	22	M12	233	62	10.5 x 14.5	21	56