

Side Pull Plugs

These plugs are designed for easy removal in those hard to reach locations

Features

Side Pull aids in removal.

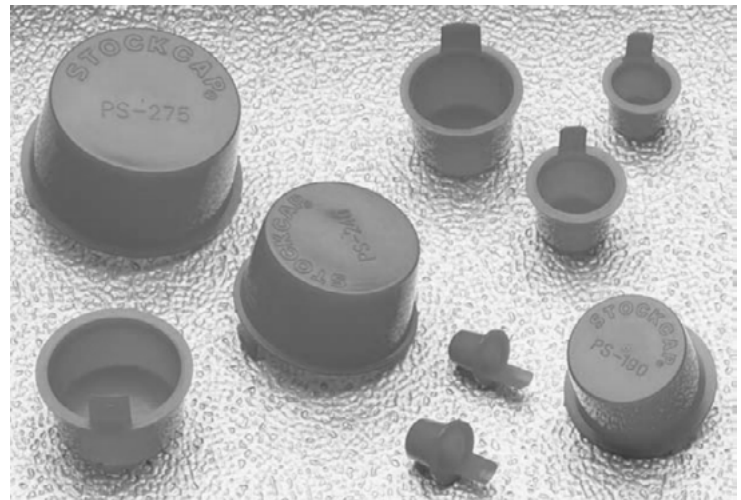
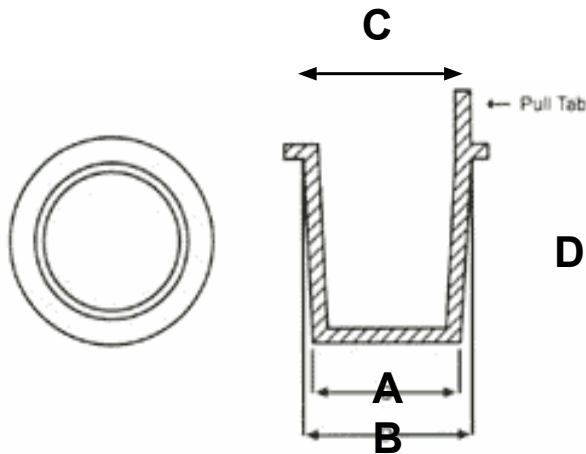
Ideal for NPT and Standard Threads.

Material

Stock colour is Red.

Standard material is low density polyethylene.

Other materials available on request.



Part Number	Common Plug Application	A Bottom O.D.	B Top O.D	C Flange O.D.	D Depth
14-PS09309	3/8 Std Thread	7.59	9.27	12.7	9.65
14-PS09909	1/8 NPT	8.38	10.06	13.46	9.65
14-PS11609	-	9.91	11.58	14.99	9.65
14-PS12409	1/2 Std Thread	10.64	12.32	16.00	9.65
14-PS13009	1/4 NPT	11.35	13.03	16.76	9.65
14-PS13812	9/16 Std Thread	11.96	13.89	17.53	11.18
14-PS15512	5/8 Std Thread	13.51	15.44	19.05	11.18
14-PS13912	-	13.97	16.03	19.05	11.94
14-PS15712	3/8 NPT	14.73	16.94	20.57	12.70
14-PS19012	-	17.15	19.18	22.35	12.70
14-PS19815	1/2 NPT	17.53	20.02	23.88	14.22
14-PS24615	3/4 NPT	22.00	24.77	28.70	16.00
14-PS26417		23.24	26.42	29.46	17.53
14-PS30819	1-1/16 Std Thread	27.79	30.86	35.81	19.05
14-PS30918	1 NPT	29.85	32.61	36.58	16.00
14-PS40618	1-1/4 NPT	36.75	40.64	44.45	22.35
14-PS47718	1-1/2" NPT	45.21	49.53	54.10	25.40