

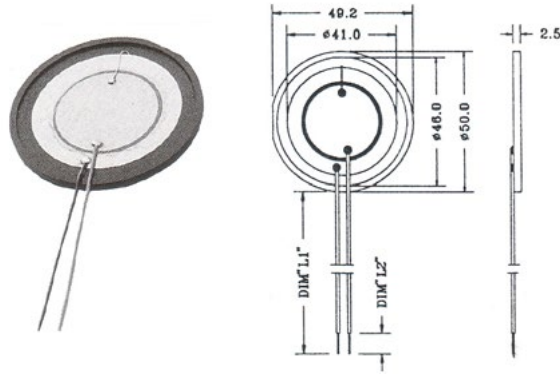
### Piezoelectric Speaker - External Drive

Emits Clear Sound • Low Power Consumption • Very thin and lightweight • No EMI/RFI

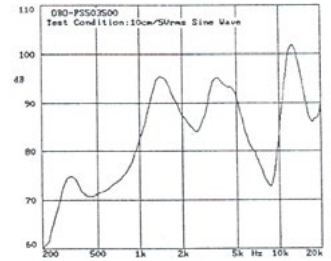
Can be driven directly by IC's.

**Part Number: 54-PS503500**  
**Specifications**

Dimensions: Diameter 50.0mmØ  
 Baffle Opening 41mmØ  
 Allowable Input Voltage: 30 volts p-p max.  
 Resonant Impedance: 1000 ohms max.  
 Resonant Frequency: 350Hz ± 100Hz  
 Capacitance: 500nF ± 30% at 120Hz  
 Operating Temperature Range: -20°C to +60°C  
 Storage Temperature Range: -30°C to +70°C  
 Case Material: ABS (UL94HB)  
 Lead Wire: 100mm ± 5.0mm AWG32  
 Weight: 2.5gms



Dimensions ±0.5mm



Sound Pressure Level vs Frequency

### Magnetic Speaker - Miniture Types

Compact Size • Natural Sound • High Sound Output • Good Frequency Response

**Part Number: 55-M501B050008C**  
**Specifications**

Dimensions: Diameter 50 mm, 7.6mm deep  
 Rated Power: 1W  
 Max Power: 2W  
 Resonant Frequency: 500 Hz  
 Frequency response to: 10kHz  
 Nominal Impedance: 8 ohms ± 15%  
 Magnet (Nd – Fe – B35): Size 12.5mmØ x 1.5mm  
 Weight: 11gms

