

IEC Inlet/filters

With increasing RFI and induced interference it is important to protect the integrity of your equipment or system. Reduce your line to ground (common mode) interference.

It need not cost a lot with this range of filters. Quick Connect terminals available.

These filters meet low leakage requirements operating on mains voltages 115-250vAC 50/60 Hz.

They are compact and are easily mounted. Safety and construction are in compliance USA, Canadian & European standards.



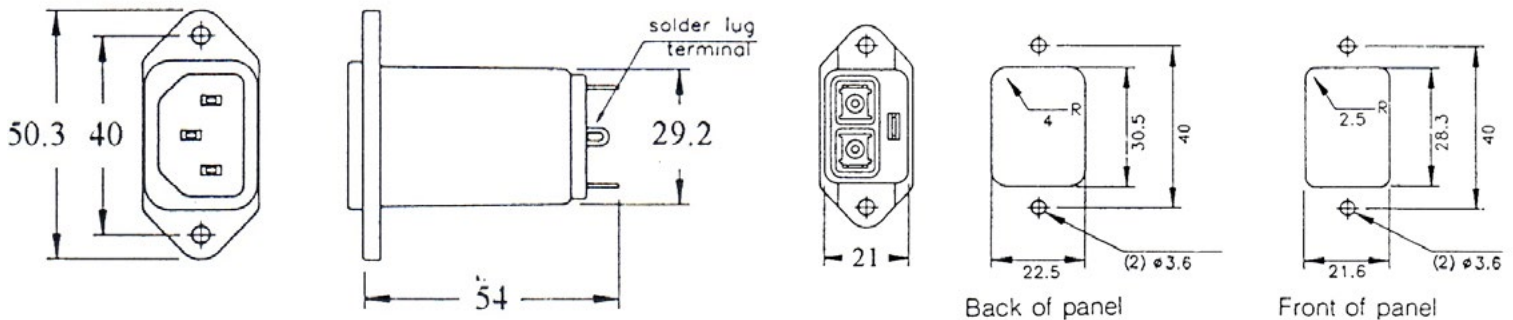
33-1001,3,6,10AFS



33-0YA01T3,03T3



33-0YB01A1, 06A1



Specifications

Typical Insertion Loss (dB): Line to Ground (50 ohm)

Part Number	Current Rating	0.15 MHz	0.5 MHz	1.0 MHz	5.0 MHz	10 MHz	30 MHz
33-1001AFS	1A	20	33	40	45	47	50
33-1003AFS	3A	15	25	30	45	50	53
33-1006AFS	6A	10	20	25	42	45	50
33-1010AFS	10A	8	15	20	38	40	45
33-0YB01A1	1A	28	38	41	39	39	41
33-0YB06A1	6A	14	22	27	38	42	47
33-0YA01T3	1A	36	55	40	40	40	30
33-0YA03T3	3A	24	36	40	48	48	34

T3 & AFS - Solder Terminals
A1 - 1/4" Quick Connect

Rated Voltage : 115/250 vAC 50/60 Hz

Maximum Leakage Current : Line to Ground @ 250v 50 Hz 0.8 mA

Test Voltage :

Line to Ground 2250vDC 1 minute
Line to Line 1450vDC 1 minute

Electrical Schematic

