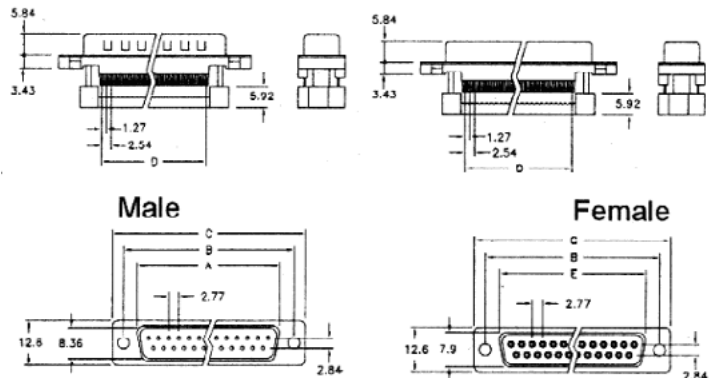
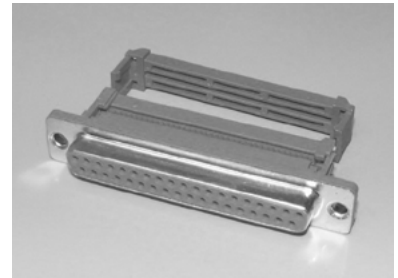
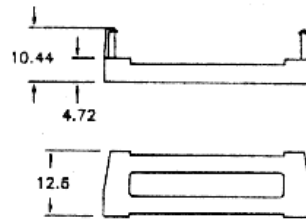


D-SUB IDC Connectors

- Quality Brass (Male) or Phosphor Bronze (Female) Gold Plated Contacts.
- Housing PBT 30% Glass (UL94VO.)
- Current Rating: 1A
- Contact Resistance: 30mΩ max at 100mA DC.
- Dielectric Strength: 500VAC for 1 min.
- Operating Temp. -55°C to +105°C.

Part No. 32-103 xx P(Male) or S(Female)
xx = No of Contacts (09,15, 25 or 37)

Positions	A	B	C	D	E
9	16.92	25.00	30.80	10.16	16.30
15	25.25	33.32	39.10	17.78	24.50
25	38.96	47.04	53.10	30.48	38.30
37	55.45	63.50	69.50	45.72	54.80

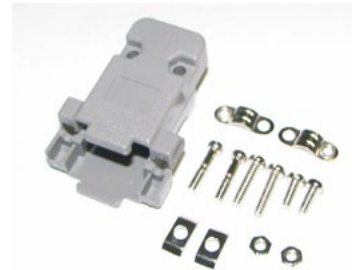


D-SUB Type Covers

- Plastic Cover with strain relief casing screws and mounting screws.
- Housing : ABS Thermoplastic (UL94V-0)

Part No. 32-158 xx PG Standard Screws
32-158 xx PG-TS Long Thumb Screws

xx = No of Contacts (09,15,25,37 or 50)

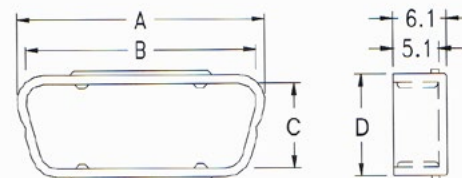


D-SUB Connector Dust Covers

- Protect your 'D' connectors from dust and contamination.
- Material: Polyethylene

Dimensions (mm)

Part Number	A	B	C	D
32-DTC09F	18.5	16.5	7.8	10.2
32-DTC25F	40.6	38.6	7.8	10.2
32-DTC09M	20.0	18.0	9.5	11.8
32-DTC25M	42.0	40.0	9.5	11.8



D-SUB Connector Dust Covers

- Fast easy assembly with push-on nut supplied with each blank.

Part No. 32-B10 xx

xx = No of Contacts (09,15,25,37 or 50)

