

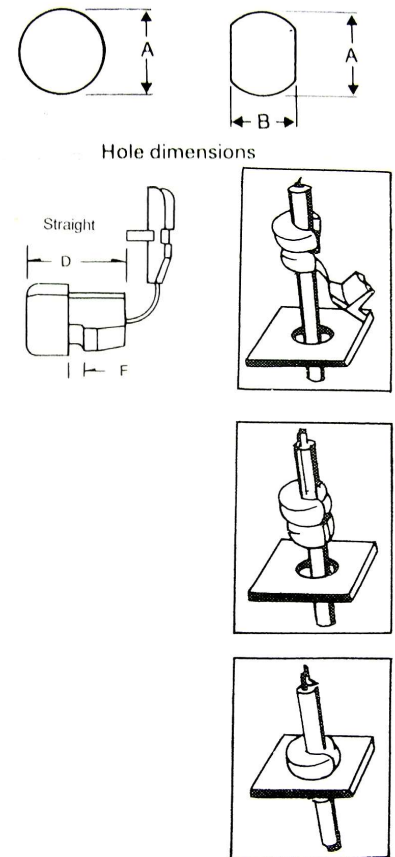
Strain Relief Bushes

One piece design cuts assembly time • Efficient strain relief and insulation

MP and PK series tough nylon bushings meet all UL and CSA stringent pull-out and temperature specifications. Temperature index 105°C.

Straight Entry Types

| Part Number | Cable Shape | Approx. Cable Size | Hole Size | | Length D | Max. Panel Thickness F |
|-------------|-------------|--------------------|-----------|---------|----------|------------------------|
| | | | Dia. A | Flats B | | |
| 21-MP14LF | Flat | 3.8x7.1 | 12.7 | 11.4 | 17.5 | 2.5 |
| 21-MP15LR | Round | 6.4-6.7 | 12.7 | 11.4 | 17.5 | 2.5 |
| 21-MP2L1B | Flat | 3.0x3.9 | 9.5 | 8.4 | 10.4 | 3.2 |
| 21-MP2L1W | Flat | 3.0x3.9 | 9.5 | 8.4 | 10.4 | 3.2 |
| 21-MP2M4B | Round | 3.9-4.7 | 9.5 | 8.4 | 10.4 | 1.6 |
| 21-MP4M4W | Round | 3.9-4.7 | 9.5 | 8.4 | 10.4 | 1.6 |
| 21-MP2P4B | Flat | 3.0x5.6 | 9.5 | 8.4 | 10.4 | 1.6 |
| 21-MP2P4W | Flat | 3.0x5.6 | 9.5 | 8.4 | 10.4 | 1.6 |
| 21-PKF211 | Flat | 2.5x5.0 | 9.5 | 8.7 | 10.3 | 0.5-1.6 |
| 21-PKF311 | Flat | 3.0x5.6 | 11.0 | 9.9 | 10.3 | 1.6 |
| 21-PKF312 | Flat | 3.0x5.6 | 11.0 | 9.9 | 10.3 | 2.6 |
| 21-PKF411 | Flat | 3.0x7.1 | 12.7 | 11.8 | 10.3 | 1.6 |
| 21-PKF412 | Flat | 3.0x7.1 | 12.7 | 11.8 | 10.3 | 2.5 |
| 21-MP4K1B | Flat | 3.8x10.1 | 12.7 | 11.7 | 11.7 | 2.4 |
| 21-MP4K1W | Flat | 3.8x10.1 | 12.7 | 11.7 | 11.7 | 2.4 |
| 21-PKF511 | Flat | 5x10.4 | 14.3 | 12.9 | 15.2 | 1.6 |
| 21-MP5N4B | Round | 5-6.5 | 12.7 | 11.4 | 11.3 | 1.6 |
| 21-MP5N4W | Round | 5-6.5 | 12.7 | 11.4 | 11.3 | 1.6 |
| 21-MP5P4B | Round | 5-6.5 | 12.7 | 11.4 | 11.1 | 2.5 |
| 21-MP5P4W | Round | 5-6.5 | 12.7 | 11.4 | 11.1 | 2.5 |
| 21-PKR511 | Round | 5-6.5 | 12.8 | 11.5 | 11.0 | 1.6 |
| 21-PKR512 | Round | 5-6.5 | 13.0 | 11.5 | 11.0 | 2.5 |
| 21-PLF512 | Flat | 5.5x7.5 | 12.7 | 11.1 | 11.0 | 2.6 |
| 21-MP6N44B | Flat | 3.0x7.6 | 15.9 | 14.4 | 15.2 | 1.6 |
| 21-MP6N4B | Round | 7-8 | 15.9 | 14.0 | 14.8 | 1.6 |
| 21-MP6N4W | Round | 7-8 | 15.9 | 14.0 | 14.8 | 1.6 |
| 21-MP6P4B | Round | 7-8 | 15.9 | 14.0 | 14.7 | 3.2 |
| 21-PKR611 | Round | 8.2-9.2 | 15.9 | 14.0 | 14.8 | 1.6 |
| 21-PKR613 | Round | 8-9 | 15.9 | 14.0 | 14.8 | 3.2 |
| 21-PLR603 | Round | 8-9.5 | 15.9 | 14.0 | 18.0 | 3.2 |
| 21-PLR603N | Round | 7.8-9.6 | 15.9 | 14.0 | 18.0 | 3.2 |
| 21-PLR623 | Round | 6-7 | 15.9 | 14.0 | 18.0 | 3.2 |
| 21-PLR623N | Round | 6-7 | 15.9 | 14.0 | 18.0 | 3.2 |
| 21-MP7P2B | Round | 9-10.5 | 19.0 | 16.8 | 18.9 | 3.2 |
| 21-MP7P2W | Round | 9-10.5 | 19.0 | 16.8 | 18.9 | 3.2 |



Material: Heat Stabilised Nylon Black. N = Natural W = White

Right Angle Entry Types

| Part Number | Cable Shape | Approx. Cable Size | Hole Size | | Length D | Max. Panel Thickness F |
|-------------|-------------|--------------------|-----------|---------|----------|------------------------|
| | | | Dia. A | Flats B | | |
| 21-MP14LF | Flat | 3.8-7.1 | 12.7 | 11.4 | 17.5 | 2.5 |
| 21-MP15LR | Round | 6.4-6.7 | 12.7 | 11.4 | 17.5 | 2.5 |

Right Angle Entry with Flexible Support

| Part Number | Cable Shape | Approx. Cable Size | Hole Size | | Length D | Max. Panel Thickness F |
|-------------|-------------|--------------------|-----------|---------|----------|------------------------|
| | | | Dia. A | Flats B | | |
| 21-PK42LF | Flat | 3.3x6.6 | 12.7 | 10.9 | 20.5 | 2.0 |

