

1188 - Thermoplastic Fixed Feet

Available in Black Duroplast • Stud Treated Steel or Stainless Steel • Optional non skid rubber pad

Part Number	D	H	d	e	Kg*
11-FFPB32S8-26	32	13	M8	26	800
11-FFPB32S10-23	32	13	M10	23	800
11-FFPB40S8-36	40	13	M8	36	800
11-FFPB40S10-33	40	13	M10	33	800

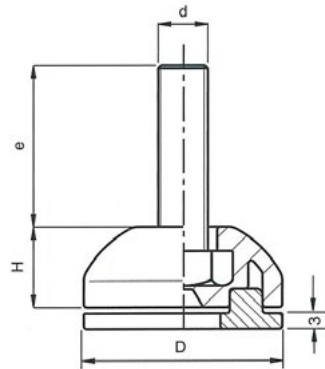
*Max Static Load

Non-slip Rubber Pad

Supplied as an accessory not mounted

32mm Part number 11-FNSRP32

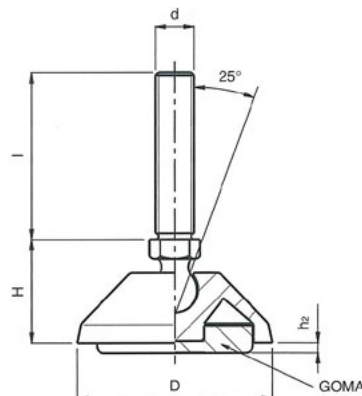
40mm Part number 11-FNSRP40



1189 - Thermoplastic Adjustable Feet

Reinforced P.A.6, Black with treated steel • Max Static Load 10.000N (Vertical Stud)

Part Number	D	H	d	l	h2
11-AFP32S8-45	32	13	M8	45	2
11-AFP50S8-45	50	27	M8	45	2
11-AFP32S10-45	32	13	M10	45	2
11-AFP50S10-45	50	27	M10	45	2
11-AFP50S10-70	50	27	M10	70	2
11-AFP50S12-70	50	27	M12	70	2
11-AFP80S16-70	80	27	M16	70	2



Non-slip Rubber Pad

Supplied as an accessory not mounted

32mm Part number 11-FNSRP32

50mm Part Number 11-FNSRP50