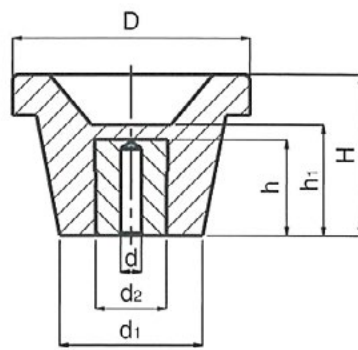


1125 - Knob CL Phenolic - Female

Available in Black Duroplast • Treated Steel Insert

Part Number	D	H	d	h	d2	h1	d1
11-KPCLB37S5	37	30	5.25	17	14	21	22
11-KPCLB44S5	44	34	5.25	17	14	24	26
11-KPCLB52S5	52	36	5.25	21	16	25	31
11-KPCLB60S5	60	41	5.25	21	16	27	36
11-KPCLB70S5	70	44	5.25	22	18	29	38
11-KPCLB80S5	80	45	5.25	22	18	30	37
11-KPCLB90S5	90	46	5.25	22	18	31	40



1125 - Knob CL Phenolic - Male

Available in Black Duroplast • Treated Steel Stud

Part Number	D	H	d	e	d1	h1
11-KPCLB37S8-27	37	30	M8	27	22	21
11-KPCLB44S10-33	44	34	M10	33	26	24
11-KPCLB52S10-33	52	36	M10	33	31	25
11-KPCLB60S12-40	60	41	M12	40	36	27
11-KPCLB70S12-45	70	44	M12	45	38	29
11-KPCLB80S16-55	80	45	M16	55	37	30
11-KPCLB90S20-63	90	46	M20	63	40	31

